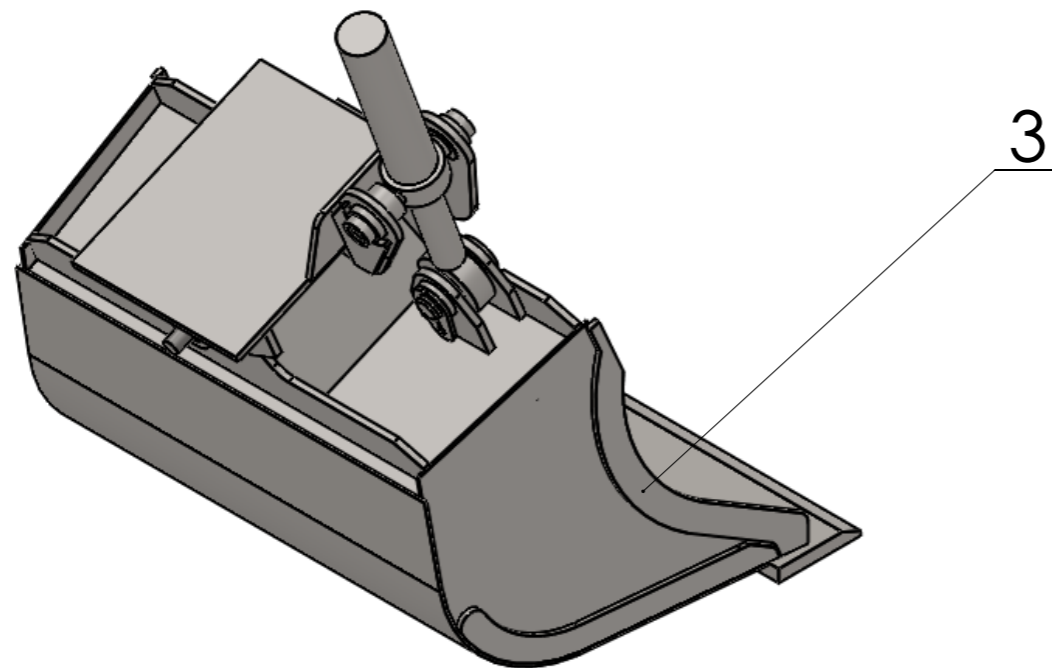
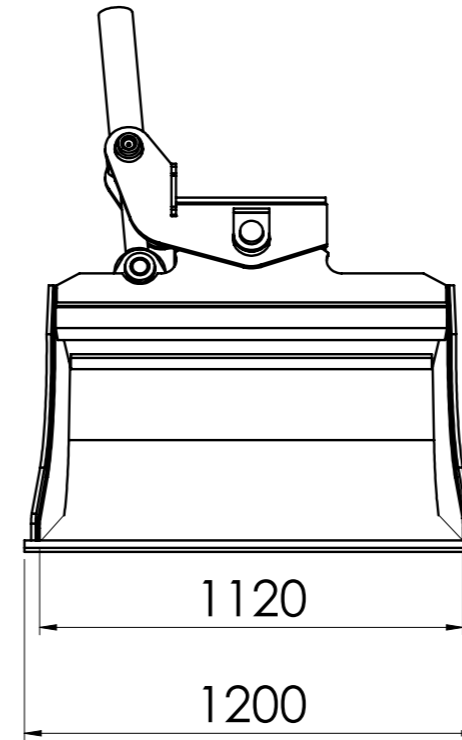


1



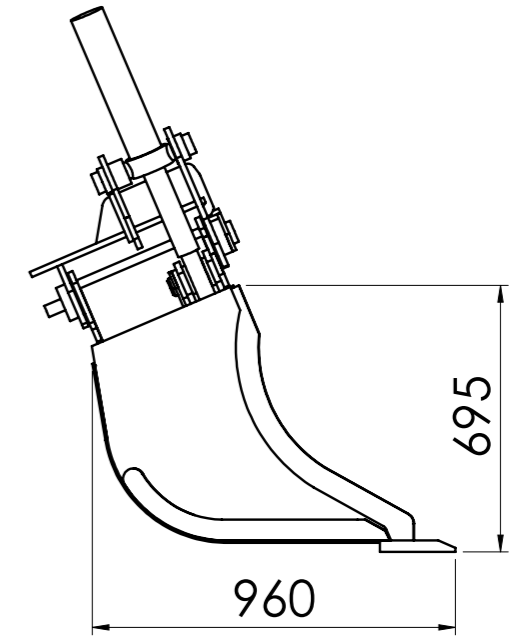
2

3



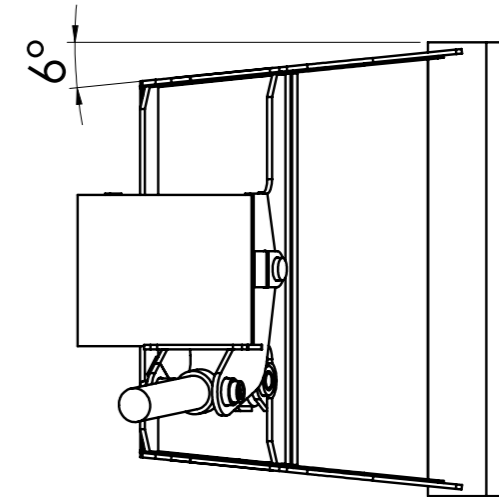
1120

1200



960

695



6°

3	Side member	HB 400	12 mm
2	Bottom plate	HB 400	6 mm
1	Front edge	HB 500	20x200x1200 mm
NO.	TITLE	MATERIAL	DESCRIPTION

	Volume	400 L	Mass	340 kg	Scale

Drawn	Teet Toming	Name HPB114
Checked		
Approved		

	Sheet	Date
	1 of 1	2.06.2015

Recommended machine weight <8 t