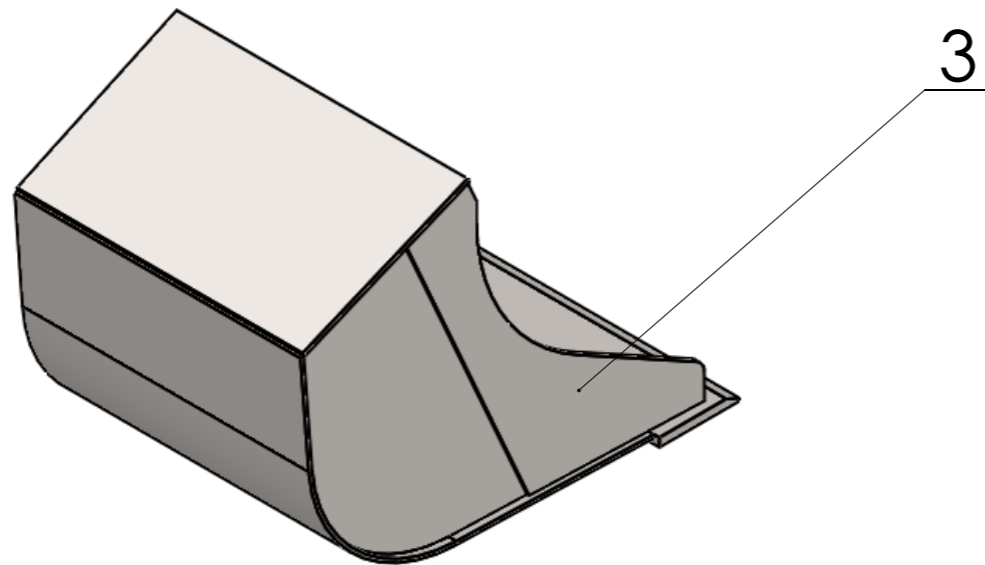
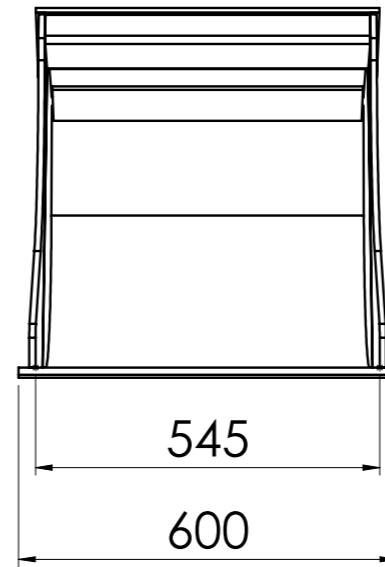


1

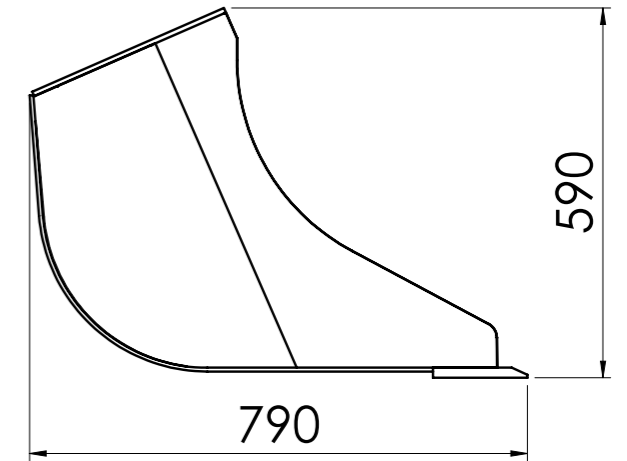


2



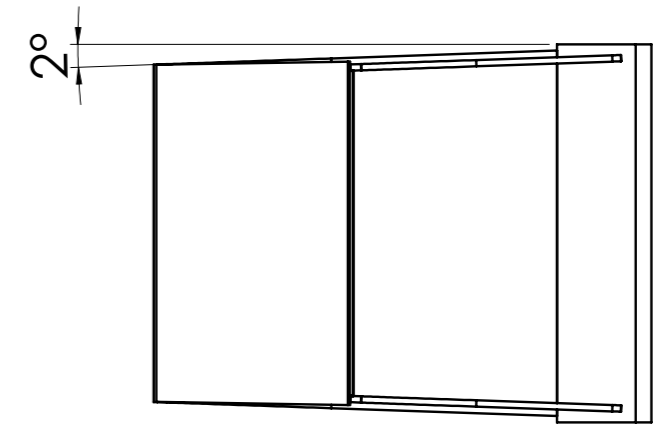
545

600



790

590



2°

3	Side member	HB 400	10 mm
2	Bottom plate	HB 400	6 mm
1	Front edge	HB 500	16x150x600 mm
NO.	TITLE	MATERIAL	DESCRIPTION

	Volume	170 L	Mass	90 kg	Scale

Drawn	Teet Toming	Name DGB207
Checked		
Approved		

	Sheet	Date
	1 of 1	5.05.2015

Recommended machine weight <4 t