

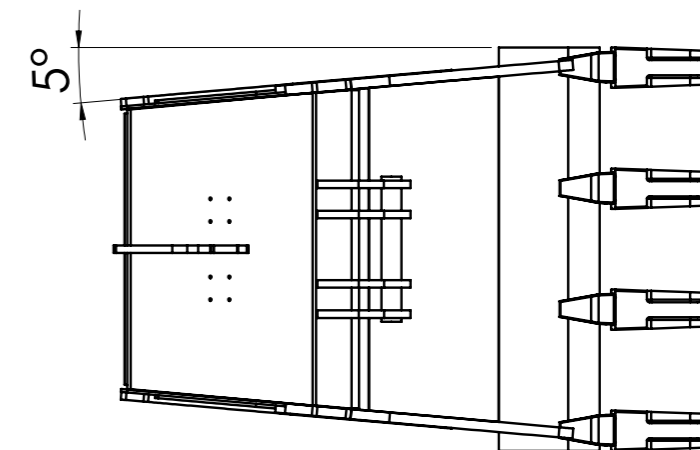
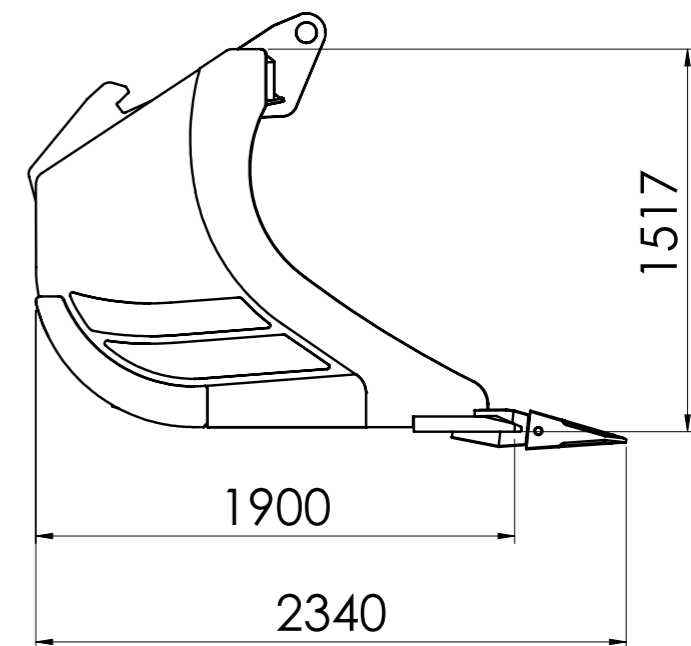
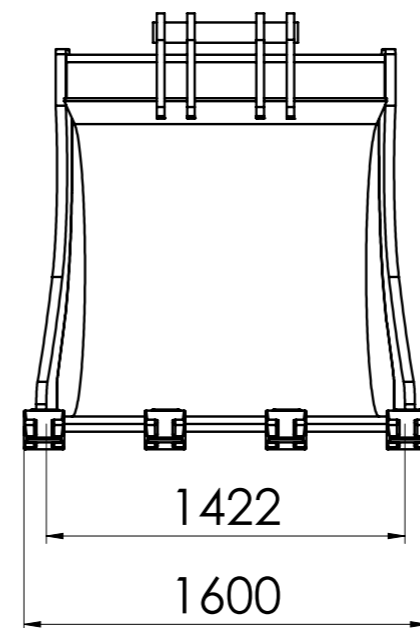
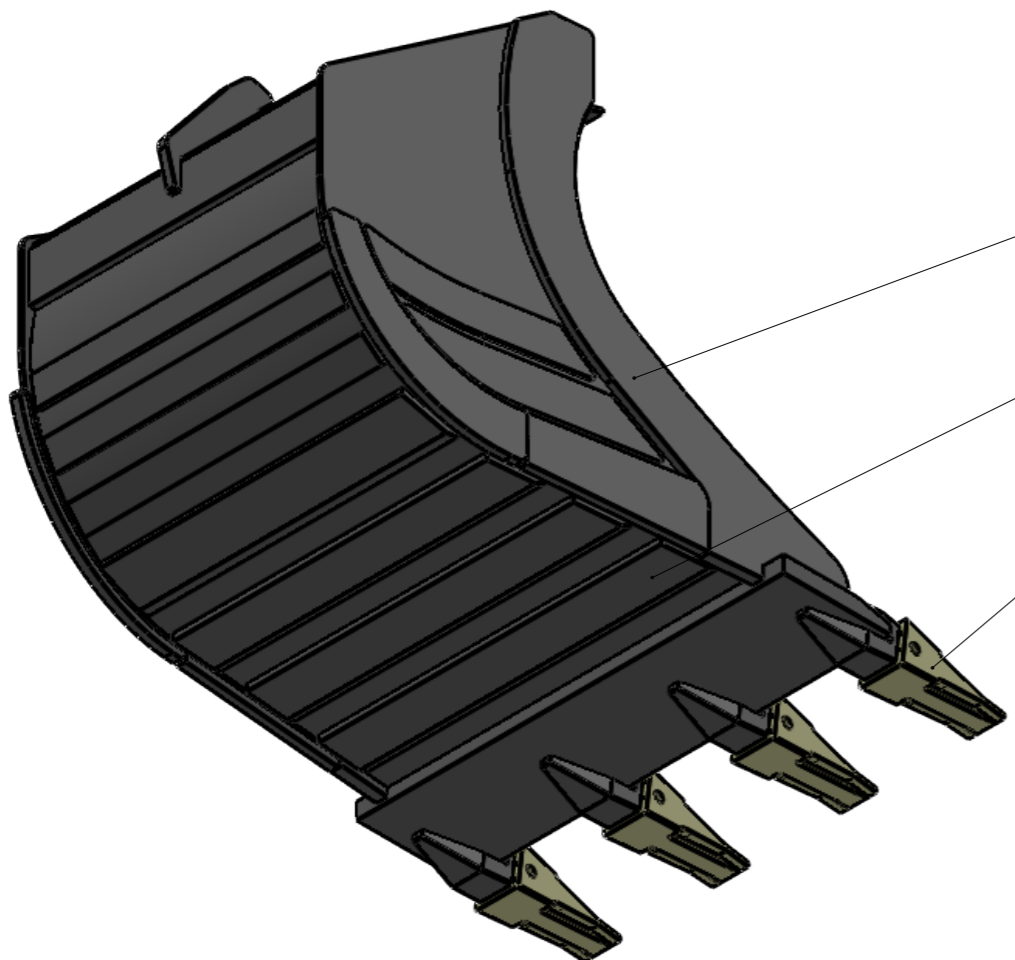
1

2

3

4

5



5	Teeth	-	J550
4	Bottom bar	HB 500	20x100/25x200
3	Side member	HB 400	40 mm
2	Bottom plate	HB 400	12 mm
1	Front edge	HB 500	60x400x1600 mm
NO.	TITLE	MATERIAL	DESCRIPTION

	Volume	2000 L	Mass	2200 kg	Scale
	Drawn	Teet Toming		Name	
Checked			DGB-230		
Approved			Sheet	Date	
			1 of 1	6.04.2016	